

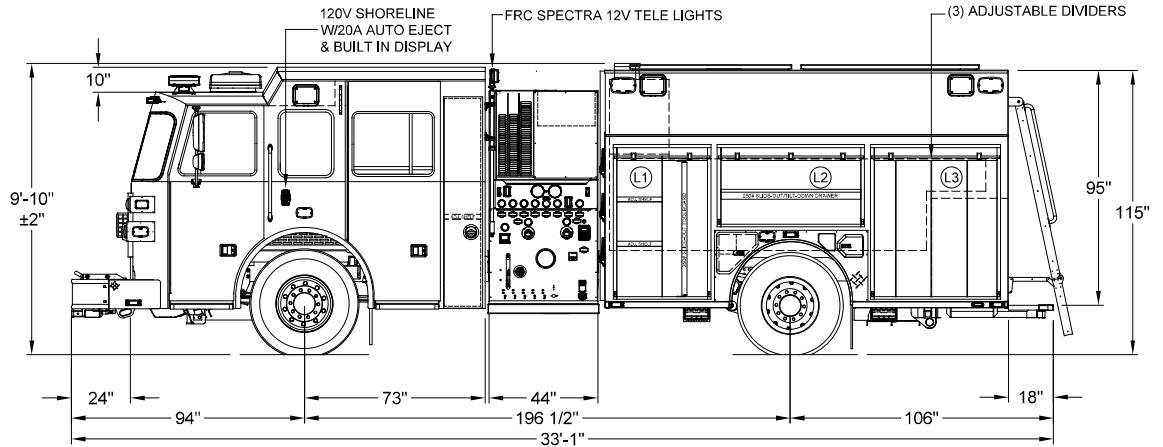
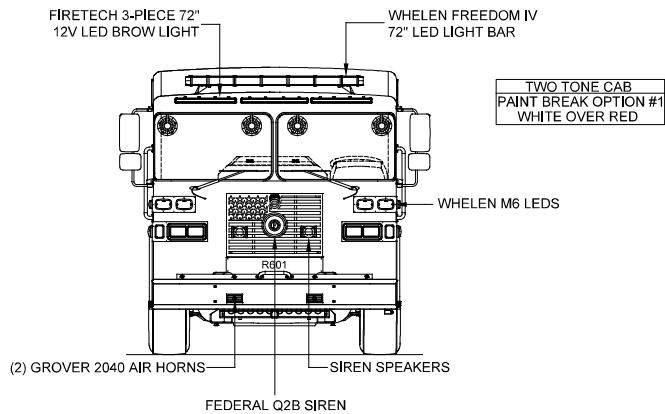
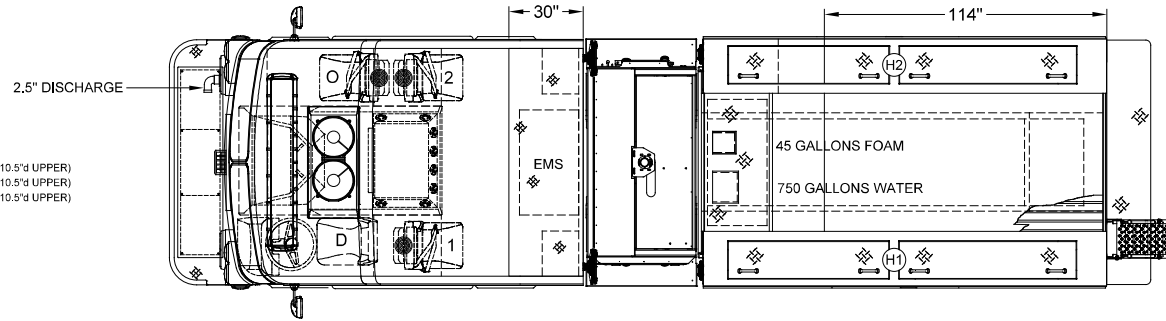
LEFT SIDE COMPARTMENTS				
COMPT	DOORS	OPENING DIMENSIONS	INSIDE DIMENSIONS	VOLUME
L1	ROLL-UP	37.5" w X 57.4" h	43.1" w X 66" h X 27.3" d	40.8 CU. FT.
L2	ROLL-UP	57.5" w X 28.2" h	61.8" w X 36.8" h X 16.0" d	29.8 CU. FT.
L3	ROLL-UP	50.5" w X 57.4" h	53.4" w X 66" h X 27.3" d	50.5 CU. FT.
H1	LIFT-UP	19" w X 70.6" l / 19" w X 72" l	161.8" w X 25.6" h X 21.8" d	52.2 CU. FT.

RIGHT SIDE COMPARTMENTS				
COMPT	DOORS	OPENING DIMENSIONS	INSIDE DIMENSIONS	VOLUME
R1	ROLL-UP	37.5" w X 57.4" h	43.1" w X 66" h X 27.3" d	33.9 CU. FT. (10" h X 10.5" d UPPER)
R2	ROLL-UP	57.5" w X 28.2" h	61.8" w X 36.8" h X 16.0" d	19.0 CU. FT. (10" h X 10.5" d UPPER)
R3	ROLL-UP	50.5" w X 57.4" h	53.4" w X 66" h X 27.3" d	41.9 CU. FT. (10" h X 10.5" d UPPER)
H2	LIFT-UP	19" w X 70.6" l / 19" w X 72" l	161.8" w X 25.6" h X 21.8" d	52.2 CU. FT.

*R1 & R3 HAVE 61.8" w X 24.5" h X 16.0" d MIDDLE SECTIONS

REAR STEP COMPARTMENT				
COMPT	DOORS	OPENING DIMENSIONS	INSIDE DIMENSIONS	VOLUME
A1	ROLL-UP	37.5" w X 32.8" h	40" w X 40" h X 31" d	28.7 CU. FT.

TOTAL: 349.0 CU.FT.



DIMENSIONS SHOWN ON THIS DRAWING ARE APPROXIMATE AND ARE SUBJECT TO MINOR DEVIATIONS DURING CONSTRUCTION.

IN THE EVENT OF A DISCREPANCY BETWEEN THE SUTPHEN SPECIFICATIONS AND DRAWING, THE SUTPHEN SPECIFICATIONS SHALL PREVAIL.

DRAWING IS FOR REFERENCE ONLY. SOME ITEMS PROPOSED MAY NOT BE SHOWN OR NOTED.

CUSTOMER APPROVAL

NAME: _____

TITLE: _____

DATE: _____

REV.	DESCRIPTION	BY	DATE	MFG. FACILITY:	DUBLIN
F	UPDATED THE CLAR NOTES FOR THE GUARDIAN SCENE LIGHTS TO HAVE CHROME HOUSINGS IPO WHITE	KG	04/04/23	DATE:	06/28/21
E	ADDED REFERENCE PHOTOS TO SHOP ORDER	KG	01/26/23	DRAWN BY:	K.GOON
D	UPDATED THE SHOP ORDER TO RAISE THE TELE LIGHTS UP 1" FROM STANDARD HEIGHT. REVISED WATER TANK & OAH	KG	04/18/22		
C	ADDED LINE BACK TO SHOP ORDER FOR THE PUMP MODULE TO BE RAISED	KG	04/13/22		

SUTPHEN

ALLEN TOWNSHIP FIRE DEPARTMENT
MARYSVILLE, OH

CUSTOM PUMPER - S6

DWG. NO.: HS-7172