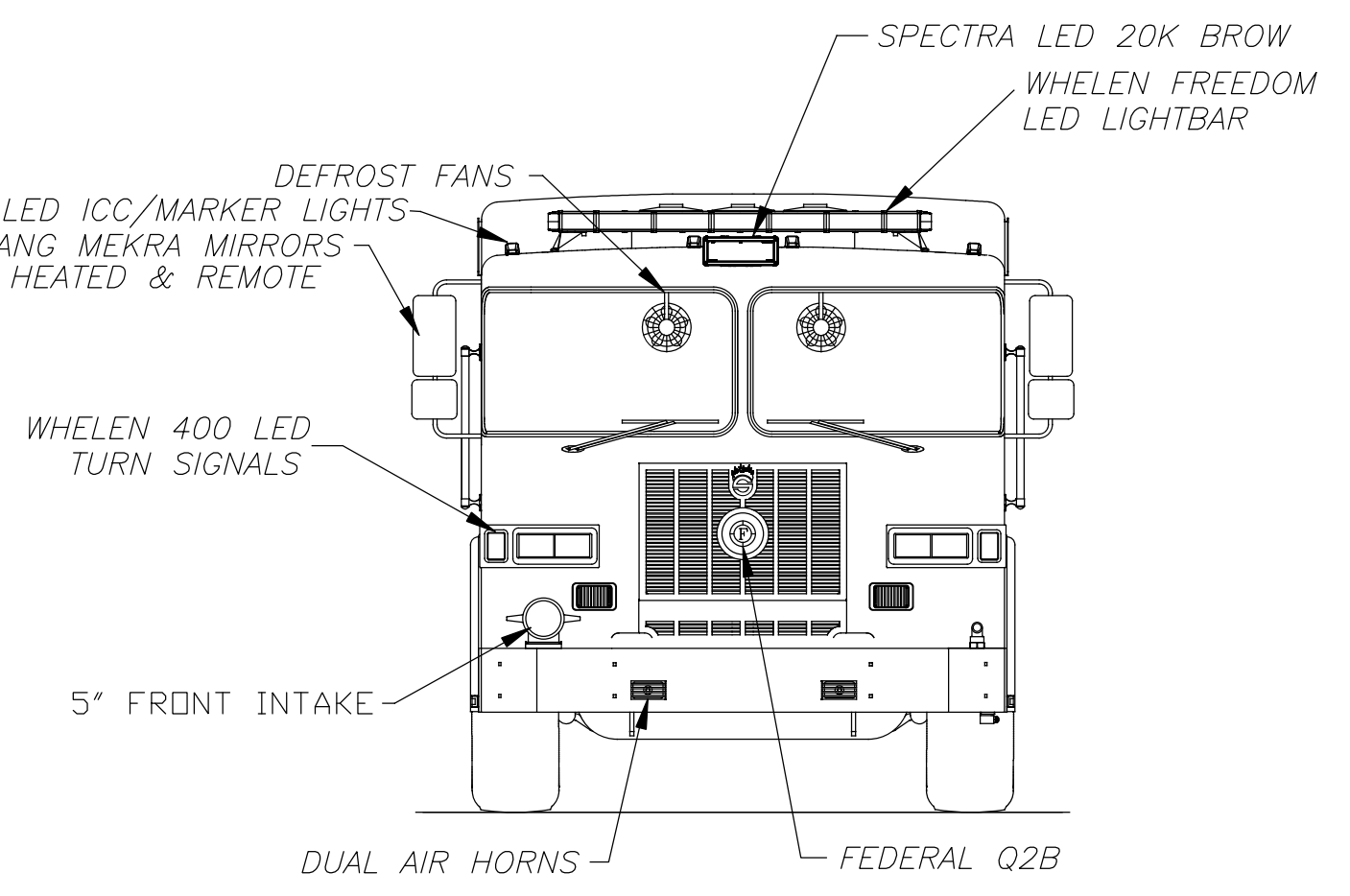
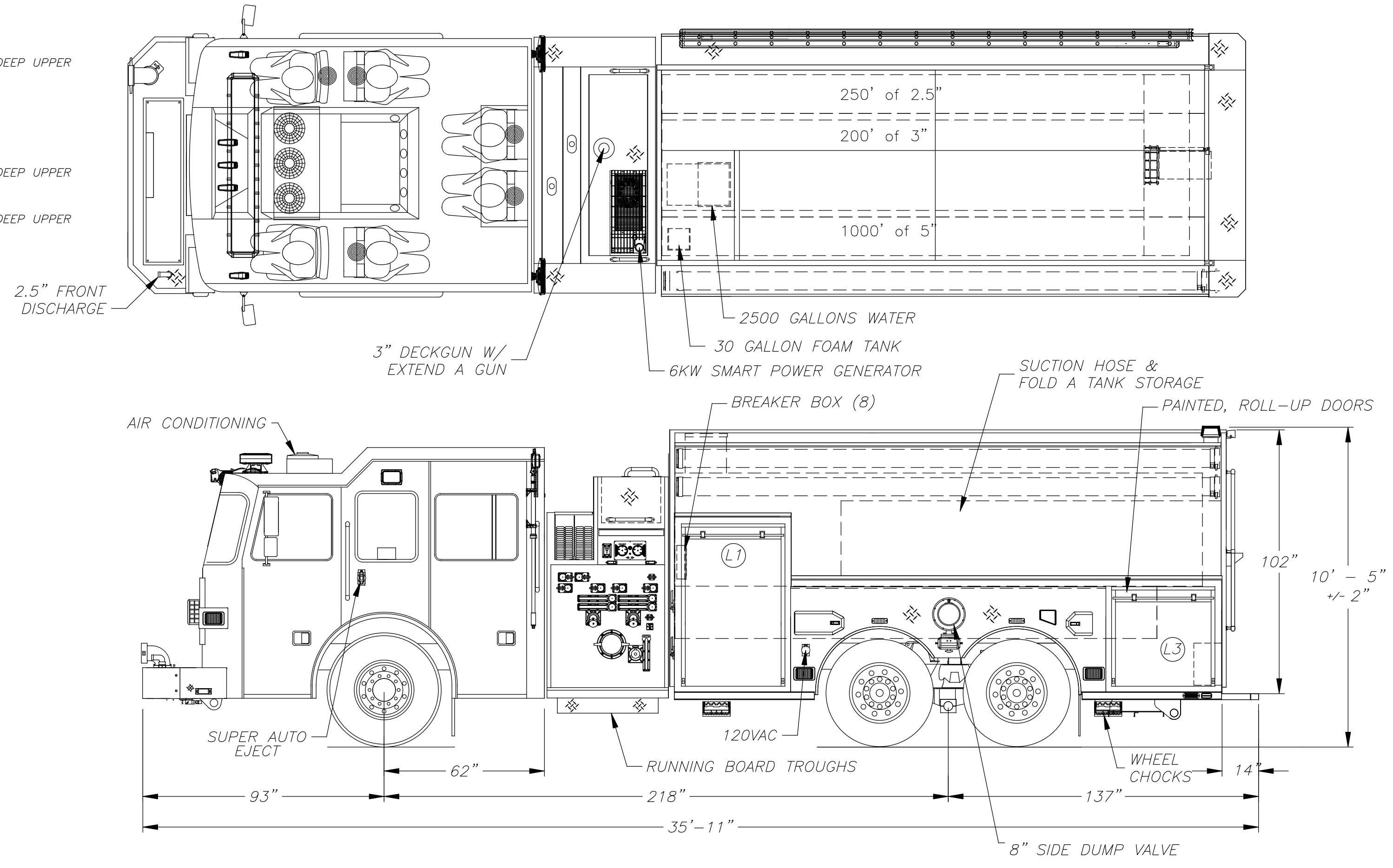


LEFT SIDE COMPARTMENTATION				
COMPT	DOORS	OPENING DIMENSIONS	INSIDE DIMENSIONS	VOLUME
L1	ROLL UP	37" w X 50 7/8" h	43" w X 66" h X 27 1/4" d	26 CU. FT.
L4	ROLL UP	35 1/2" w X 32 3/4" h	40 1/2" w X 34" h X 27 1/4" d	21 CU. FT.

RIGHT SIDE COMPARTMENTATION				
COMPT	DOORS	OPENING DIMENSIONS	INSIDE DIMENSIONS	VOLUME
R1	ROLL UP	37" w X 50 7/8" h	43" w X 66" h X 27 1/4" d	26 CU. FT.
R2	ROLL UP	57" w X 17 5/8" h	61 1/2" w X 28" h X 10 1/2" d	10.5 CU. FT.
R3	ROLL UP	57" w X 17 5/8" h	61 1/2" w X 28" h X 10 1/2" d	10.5 CU. FT.
R4	ROLL UP	37" w X 50 7/8" h	43" w X 66" h X 27 1/4" d	26 CU. FT.

REAR STEP COMPARTMENTS				
COMPT	DOORS	OPENING DIMENSIONS	INSIDE DIMENSIONS	VOLUME
A1	FOLD-DOWN	37" w X 13" h	40" w X 16" h X 8 1/2" d	3 CU. FT.



DIMENSIONS SHOWN ON THIS DRAWING ARE APPROXIMATE AND ARE SUBJECT TO MINOR DEVIATIONS DURING CONSTRUCTION.

IN THE EVENT OF A DISCREPANCY BETWEEN THE SUTPHEN SPECIFICATIONS AND DRAWING, THE SUTPHEN SPECIFICATIONS SHALL PREVAIL.

DRAWING IS FOR REFERENCE ONLY. SOME ITEMS PROPOSED MAY NOT BE SHOWN OR NOTED.

CUSTOMER APPROVAL

NAME: _____

TITLE: _____

DATE: _____

REV.	DESCRIPTION	BY	DATE
-	-	-	-

THIS PRINT IS PROVIDED ON A RESTRICTED BASIS AND IS NOT TO BE USED IN ANY WAY DETRIMENTAL TO THE INTEREST OF SUTPHEN CORPORATION.

DRAWN BY:
FAULKNER

DATE:
1/5/17

MFG. FACILITY:
DUBLIN

BAUGO TWP FIRE DEPARTMENT
BAUGO TWP, IN

CUSTOM TANKER - TA-5 BODY

DWG. NO.: HS-XXXX