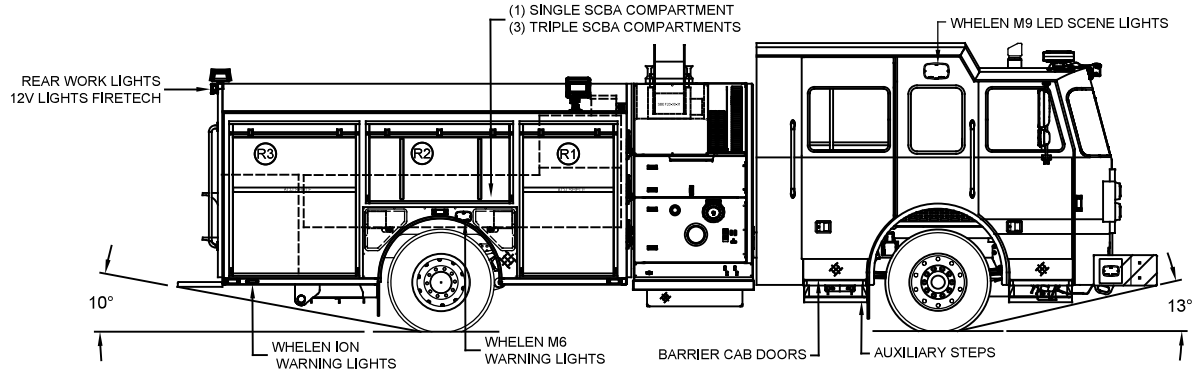


HOSEBED  
600' OF 1.75"  
600' OF 2.0"  
600' OF 2.5"  
600' OF 4"

LADDER CHUTE  
(1) 24' 2-SEC  
(1) 14' ROOF  
(1) 10' FOLDING  
(3) PIKE POLE STOR

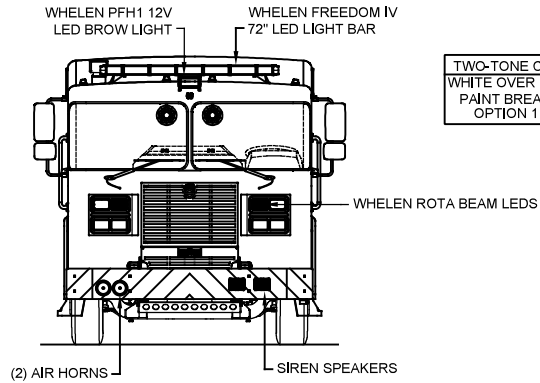
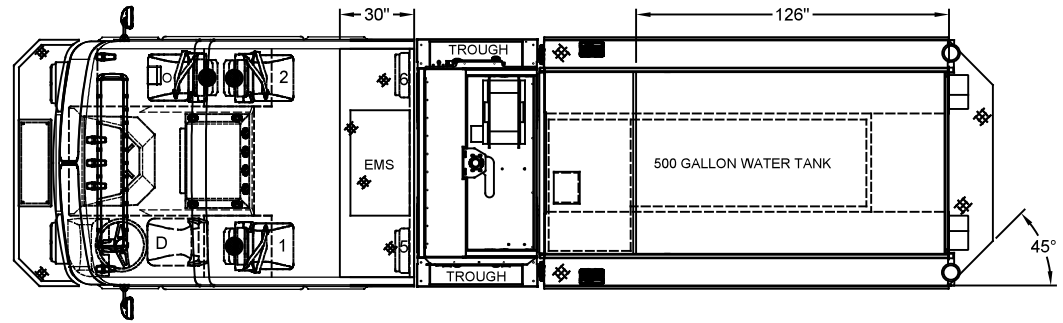
WHELEN M6  
TAILLIGHTS  
WHELEN M6  
WARNING LIGHTS



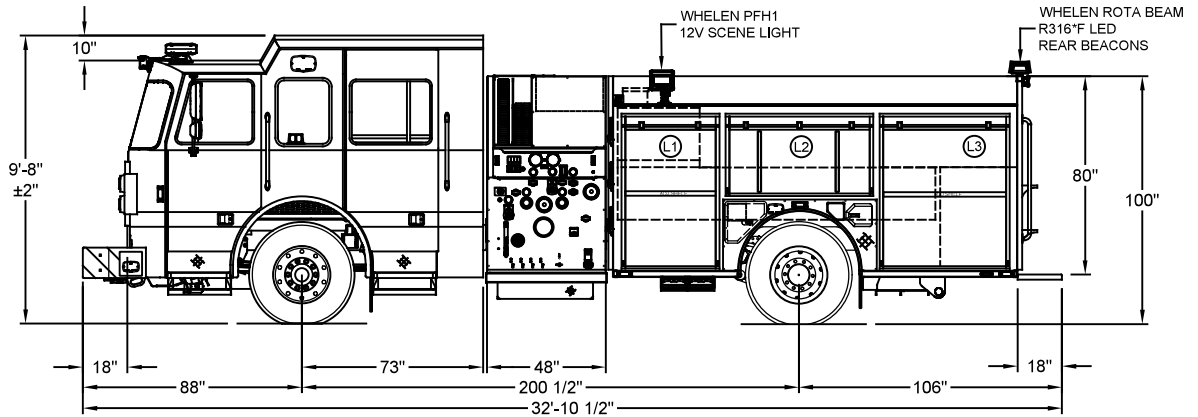
LEFT SIDE COMPARTMENTS				
COMPT	DOORS	OPENING DIMENSIONS	INSIDE DIMENSIONS	VOLUME
L1	ROLL-UP	37.5" w X 57.4" h	43.1" w X 66" h X 27.3" d	34.0 CU. FT. (26" h X 10.5" d UPPER)
L2	ROLL-UP	57.5" w X 28.2" h	61.6" w X 36.8" h X 10.5" d	13.8 CU. FT. (26" h X 10.5" d UPPER)
L3	ROLL-UP	50.5" w X 57.4" h	53.4" w X 66" h X 27.3" d	42.2 CU. FT. (26" h X 10.5" d UPPER)

RIGHT SIDE COMPARTMENTS				
COMPT	DOORS	OPENING DIMENSIONS	INSIDE DIMENSIONS	VOLUME
R1	ROLL-UP	37.5" w X 57.4" h	43.1" w X 66" h X 27.3" d	31.1 CU. FT. (33" h X 10.5" d UPPER)
R2	ROLL-UP	57.5" w X 28.2" h	61.6" w X 36.8" h X 10.5" d	13.8 CU. FT. (33" h X 10.5" d UPPER)
R3	ROLL-UP	50.5" w X 57.4" h	53.4" w X 66" h X 27.3" d	38.5 CU. FT. (33" h X 10.5" d UPPER)

REAR STEP COMPARTMENT				
COMPT	DOORS	OPENING DIMENSIONS	INSIDE DIMENSIONS	VOLUME
A1	ROLL-UP	37.5" w X 30.3" h	40" w X 40" h X 31" d	28.7 CU. FT.
TOTAL:				202.2 CU. FT.



TWO-TONE CAB  
WHITE OVER RED  
PAINT BREAK  
OPTION 1



DIMENSIONS SHOWN ON THIS DRAWING ARE APPROXIMATE AND ARE SUBJECT TO MINOR DEVIATIONS DURING CONSTRUCTION.

IN THE EVENT OF A DISCREPANCY BETWEEN THE SUTPHEN SPECIFICATIONS AND DRAWING, THE SUTPHEN SPECIFICATIONS SHALL PREVAIL.

DRAWING IS FOR REFERENCE ONLY. SOME ITEMS PROPOSED MAY NOT BE SHOWN OR NOTED.

CUSTOMER APPROVAL

NAME: \_\_\_\_\_

TITLE: \_\_\_\_\_

DATE: \_\_\_\_\_

E	COMPONENT REPORT UPDATED / CHANGES FROM FINAL INSPECTION ITEM ON HS-7285-86	MC	12/05/22	DATE	06/28/22
D	COMPONENT REPORT UPDATED / GOLIIGHT MODEL NUMBER	MC	11/14/22	DRAWN BY:	M.CLARK
C	ADDED DEFROSTER FANS	MC	09/28/22		
B	COMPONENT REPORT UPDATED	MC	06/08/22		
REV.	DESCRIPTION	BY	DATE	MFG. FACILITY:	DUBLIN

CLEVELAND FIRE DEPARTMENT  
CLEVELAND, OH

CUSTOM PUMPER - S2M (MODIFIED)

DWG. NO. HS-7544