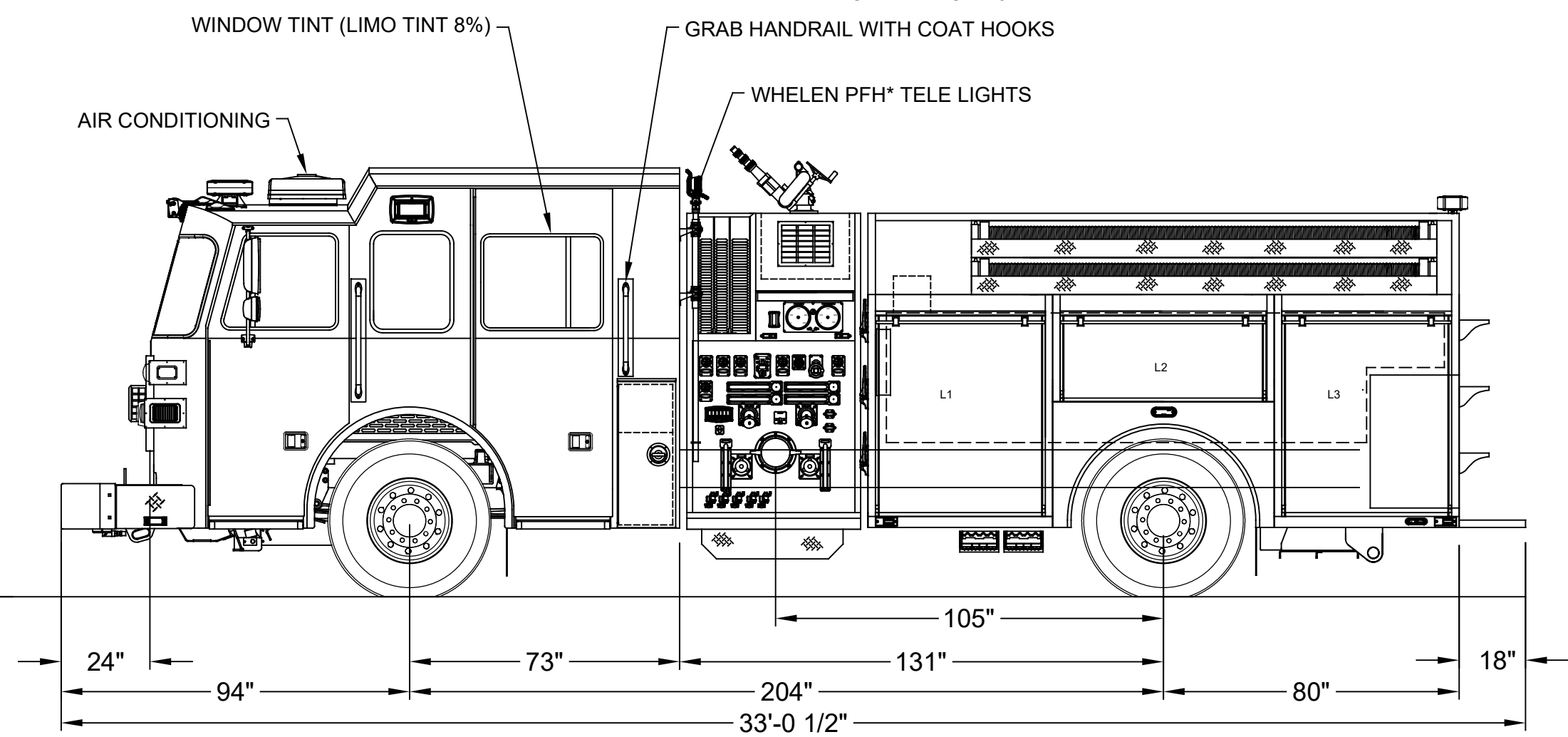
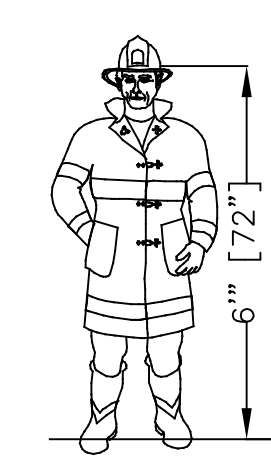
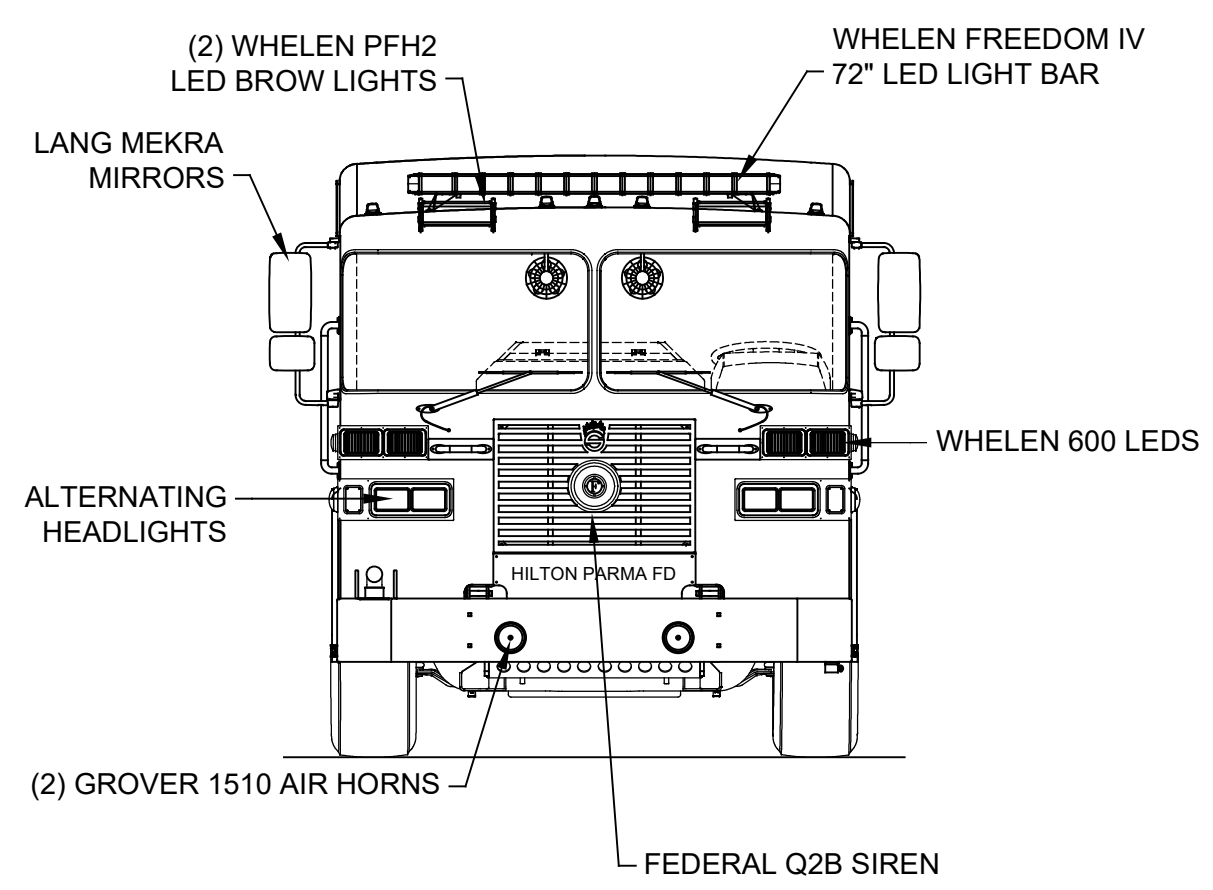
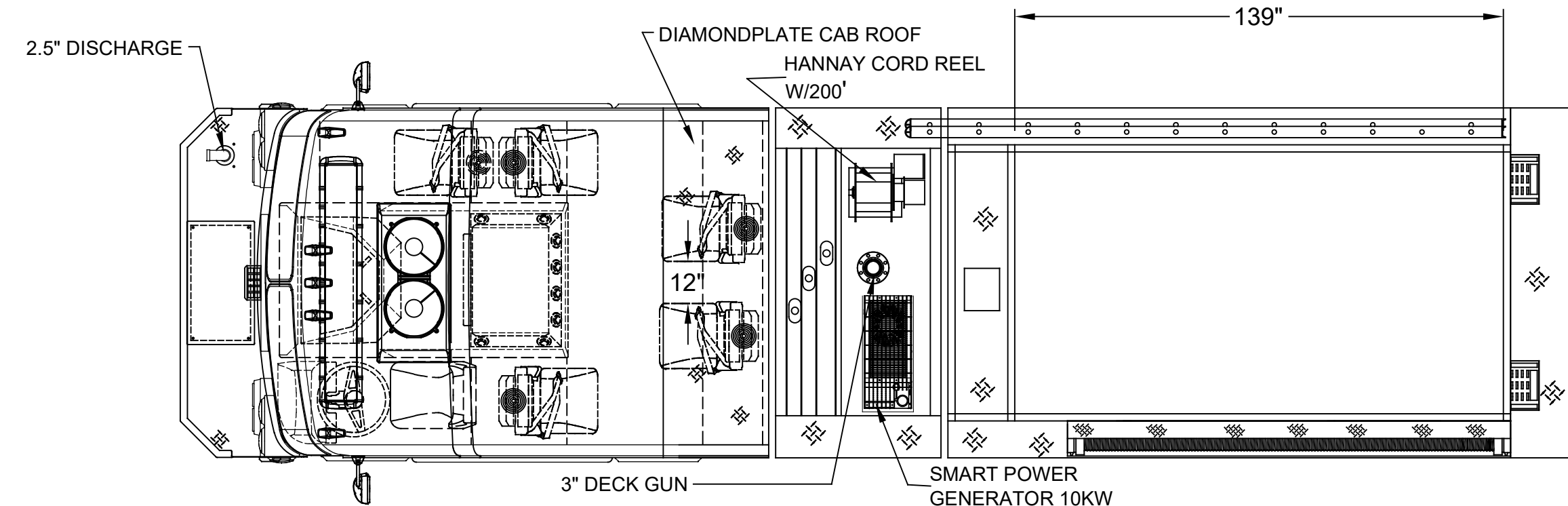


Left Side Compartmentation				
Compt	Doors	Opening Dimensions	Inside Dimensions WxHxD	Volume
L1	Roll Up	43x49	50x59x24.25	41.4 CU FT
L2	Roll Up	53x18	60x28x24.25	23.6 CU FT
L3	Roll Up	43x49	50x59x24.25	41.4 CU FT
Right Side Compartmentation				
Compt	Doors	Opening Dimensions	Inside Dimensions WxHxD	Volume
R1	Roll Up	43x49	50x41x24.25	21.1 CU FT
R2	Hinge	43x49	60x11x24.25	9.26 CU FT
R3	Roll Up	43x18	50x41x24.25	21.1 CU FT
Rear Compartmentation				
Compt	Doors	Opening Dimensions	Inside Dimensions WxHxD	Volume
A1	Roll Up	44x26	48x36x22.25	22.25 CU FT
QMAX-1500 GPM 6" SUCTION SINGLE STAGE PUMP, 750 GAL WATER TANK				Total Volume
				178.1 CU Ft



DIMENSIONS SHOWN ON THIS DRAWING ARE APPROXIMATE AND ARE SUBJECT TO MINOR DEVIATIONS DURING CONSTRUCTION.	CUSTOMER APPROVAL				DRAWN BY: RAGHU	DATE: 04/21/21	MFG. FACILITY: SUTPHEN EAST LAKE ARIEL, PA	 HILTON-PARMA FIRE DISTRICT HILTON, NY		
	IN THE EVENT OF A DISCREPANCY BETWEEN THE SUTPHEN SPECIFICATIONS AND DRAWING, THE SUTPHEN SPECIFICATIONS SHALL PREVAIL.	NAME: _____	TITLE: _____	DATE: _____					REV.	DESCRIPTION
DRAWING IS FOR REFERENCE ONLY. SOME ITEMS PROPOSED MAY NOT BE SHOWN OR NOTED.	THIS PRINT IS PROVIDED ON A RESTRICTED BASIS AND IS NOT TO BE USED IN ANY WAY DETRIMENTAL TO THE INTEREST OF SUTPHEN CORPORATION.								CUSTOM PUMPER - PS-12	