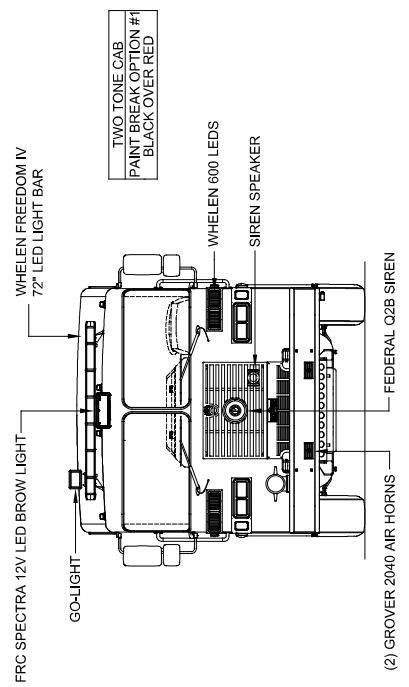


COMPT	DOORS	OPENING DIMENSIONS	INSIDE DIMENSIONS	VOLUME
L1	ROLL-UP	37.5"W X 57.4"H	43.7"W X 66.7"H X 27.3"D	37.4 CUL.FT. (18" X 10.5" UPPER)
L2	ROLL-UP	57.5"W X 28.2"H	61.6"W X 36.8"H X 27.3"D	25.0 CUL.FT. (18" X 10.5" UPPER)
L3	ROLL-UP	50.5"W X 57.4"H	53.4"W X 66.7"H X 27.3"D	46.3 CUL.FT. (18" X 10.5" UPPER)

COMPT	DOORS	OPENING DIMENSIONS	INSIDE DIMENSIONS	VOLUME
R1	ROLL-UP	37.5"W X 57.4"H	43.7"W X 66.7"H X 27.3"D	31.1 CUL.FT. (33" X 10.5" UPPER)
R2	ROLL-UP	57.5"W X 28.2"H	61.6"W X 36.8"H X 10.5"D	13.8 CUL.FT. (33" X 10.5" UPPER)
R3	ROLL-UP	50.5"W X 57.4"H	53.4"W X 66.7"H X 27.3"D	38.5 CUL.FT. (33" X 10.5" UPPER)

COMPT	DOORS	OPENING DIMENSIONS	INSIDE DIMENSIONS	VOLUME
R1	ROLL-UP	37.5"W X 28.8"H	40"W X 32"H X 31"D	23.0 CUL.FT.
TOTAL: 215.2 CUL.FT.				



CUSTOMER APPROVAL

NAME: _____

TITLE: _____

DATE: _____

SUTPHEN

DEMO 516

CUSTOM NUMBER - SEM

HS-2720

DIMENSIONS SHOWN ON THIS DRAWING ARE APPROXIMATE AND ARE SUBJECT TO MINOR DEVIATIONS DURING CONSTRUCTION.

IN THE EVENT OF A DISCREPANCY BETWEEN THE SUTPHEN SPECIFICATIONS AND DRAWING, THE SUTPHEN SPECIFICATIONS SHALL PREVAIL.

DRAWING IS FOR REFERENCE ONLY. SOME ITEMS PROPOSED MAY NOT BE SHOWN OR NOTED.

REV.	DESCRIPTION	DATE	BY	DATE	DATE	DATE
C	ADDED (2) ANTENNA INSTALLS	04/21/22	KG	08/25/21	08/25/21	08/25/21
B	CHANGES PER DEMO SALE	04/07/22	KG	08/25/21	08/25/21	08/25/21
A	REV-A SHOP ORDER	09/08/21	KG	08/25/21	08/25/21	08/25/21

THIS PRINT IS PROVIDED ON A RESTRICTED BASIS AND IS NOT TO BE USED IN ANY WAY DETRIMENTAL TO THE INTEREST OF SUTPHEN CORPORATION.