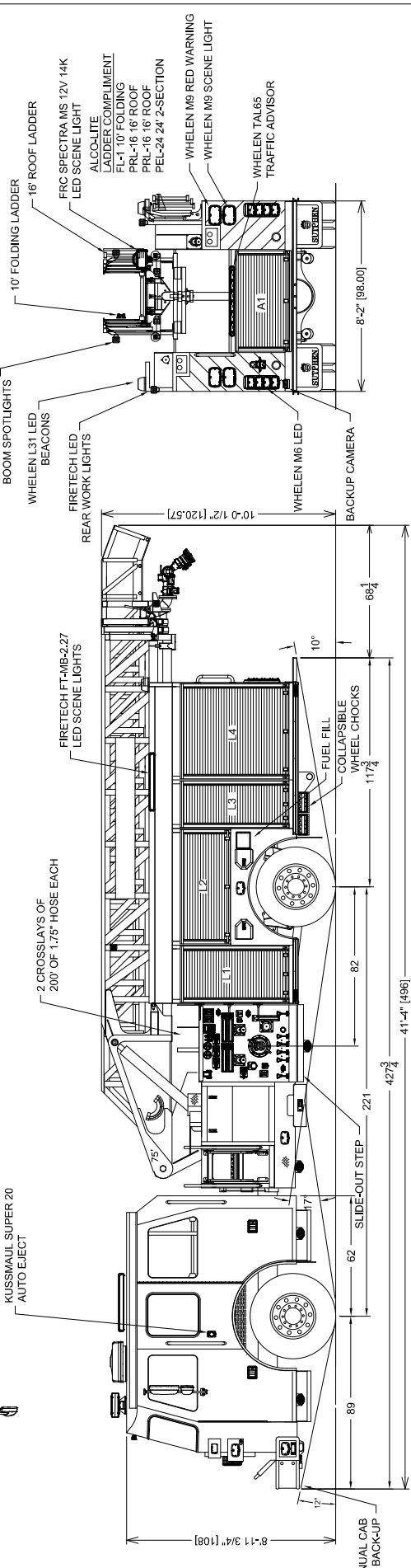
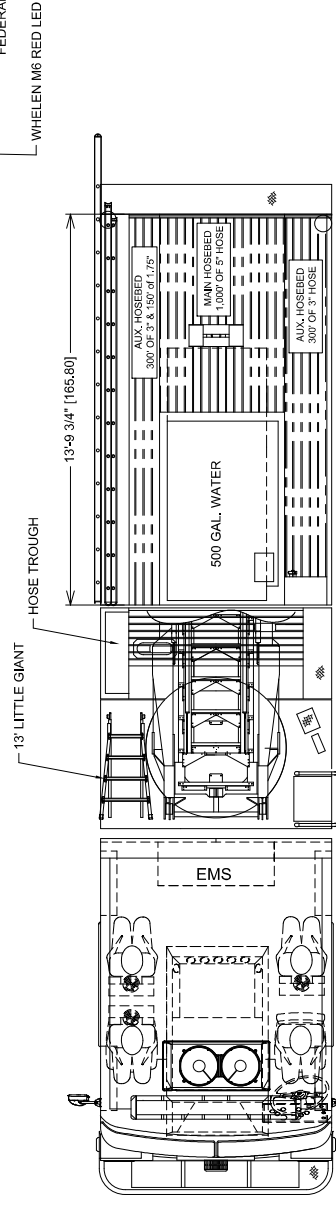
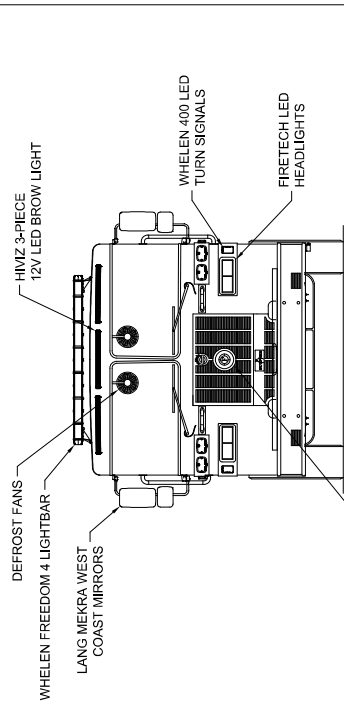
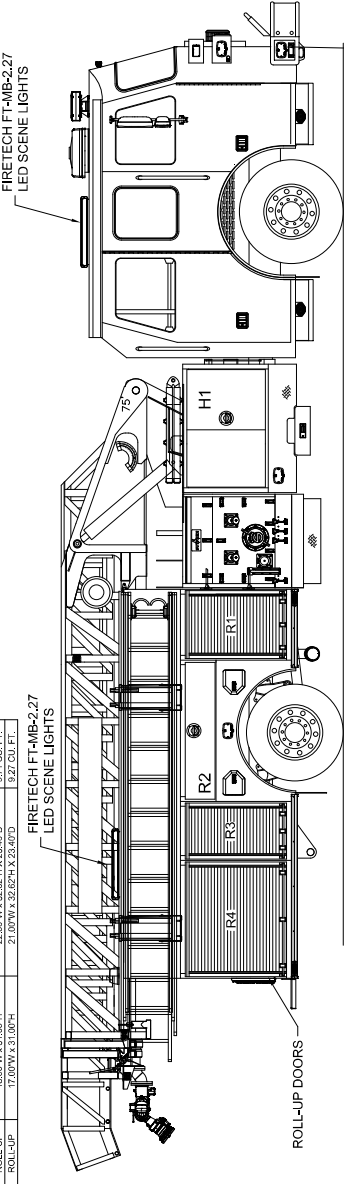


COMP	DOORS	INSIDE DIMENSIONS	VOLUME
R1	ROLL-UP	23.25'W x 55.00'H	17.82 CU. FT.
R2	HINGED	60.00'W x 4.00'H x 22.75'D	11.65 CU. FT.
R3	ROLL-UP	18.25'W x 55.00'H	17.82 CU. FT.
R4	ROLL-UP	42.25'W x 45.00'H x 22.75'D	37.50 CU. FT.
		TOTAL VOLUME	201.73 CU. FT.

COMP	DOORS	INSIDE DIMENSIONS	VOLUME
L1	ROLL-UP	20.75'W x 55.00'H x 17.75'D	18.02 CU. FT.
L2	ROLL-UP	60.00'W x 26.25'H x 17.75'D	17.47 CU. FT.
L3	ROLL-UP	42.25'W x 55.00'H x 17.75'D	17.82 CU. FT.
L4	ROLL-UP	42.25'W x 55.00'H x 17.75'D	36.83 CU. FT.
A1	ROLL-UP	53.00'W x 23.50'H x 47.75'D	43.57 CU. FT.
H1 FRONT	ROLL-UP	22.00'W x 32.62'H x 23.40'D	9.27 CU. FT.
H1 REAR	ROLL-UP	17.00'W x 31.00'H	9.27 CU. FT.



CUSTOMER APPROVAL

NAME: _____

TITLE: _____

DATE: _____

SUTPHEN

MARYSVILLE FIRE DEPT.

MARYSVILLE, OH

FRAMING BY: _____

APF: _____

DATE: 05/06/2022

WFL FACILITY: _____

HILLIARD

DESCRIPTION: _____

REV: _____

BY: _____

DATE: _____

THIS PRINT IS PROVIDED ON A RESTRICTED BASIS AND IS NOT TO BE USED IN ANY WAY DETRIMENTAL TO THE INTEREST OF SUTPHEN CORPORATION.