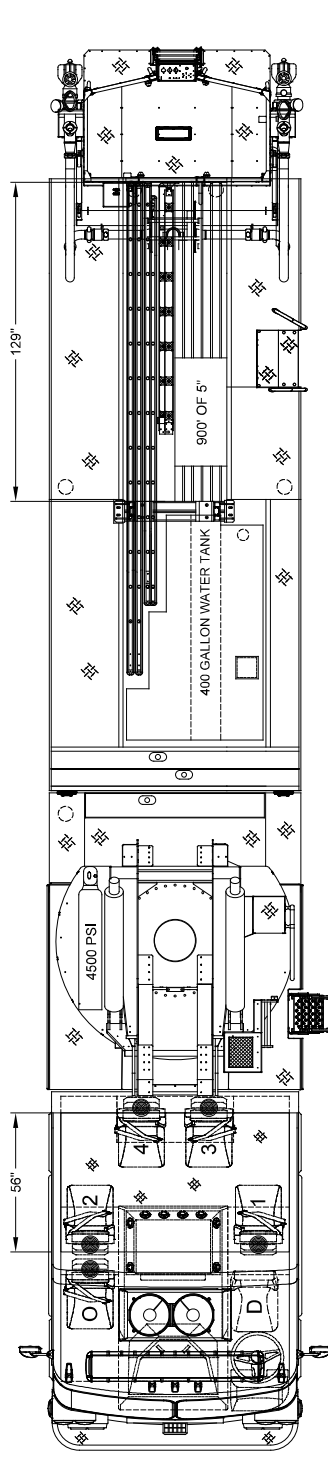
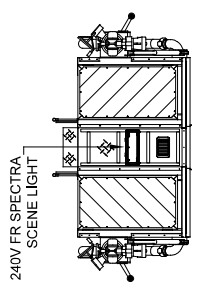


- LADDER CHUTE
 (1) 14' COMBO
 (1) 24' 2-SEC
 (2) 18' ROOF
 (1) 35' 2-SEC

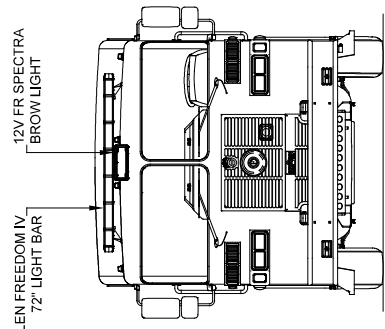
BRITAX MARKER LIGHTS



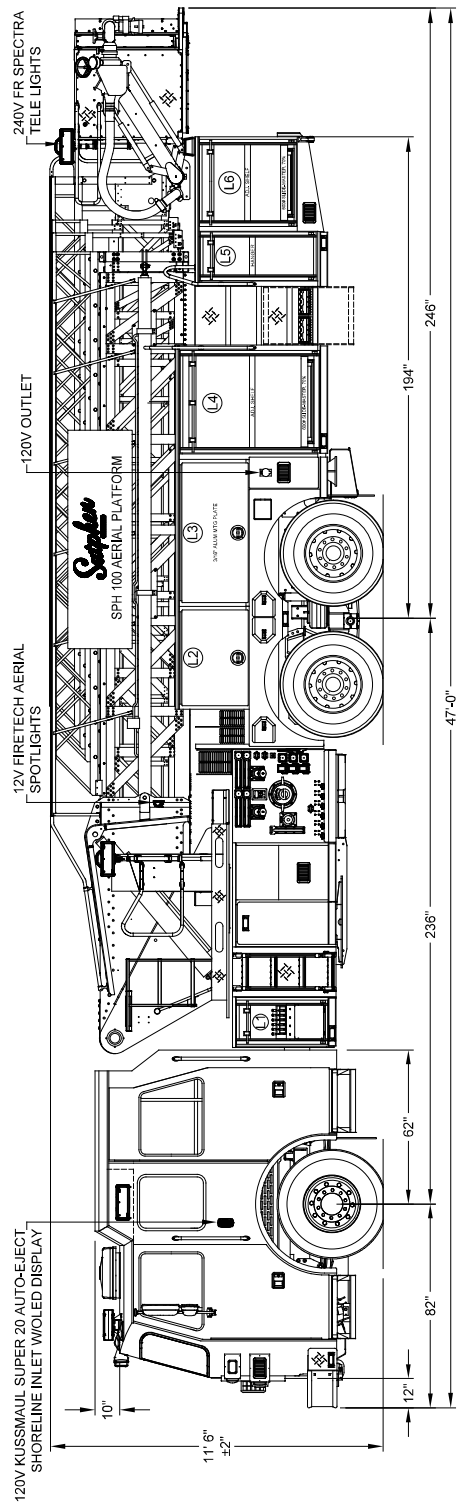
SINGLE TONE CAB
 RED



240V FR SPECTRA SCENE LIGHT



WHELEN FREEDOM IV 72\"/>



DOOR OPENINGS				COMPARTMENT DIMENSIONS			
COMPT.	HEIGHT	WIDTH	DEPTH	COMPT.	HEIGHT	WIDTH	DEPTH
R1	31.13/16	33.7/16	40.0	A1	9.7/8	26	88
R2	23	33.1/4	41.1/2				
R3	23	50.1/4	58				
R4	48.1/2	38.3/4	45.3/4				
R5	48.1/2	38.3/4	45.3/4				
R6	32.1/8	30.7/8	34.3/4				

TOTAL COMPARTMENT VOLUME - 283.49 CU.FT.

CUSTOMER APPROVAL

NAME: _____
 TITLE: _____
 DATE: _____

DIMENSIONS SHOWN ON THIS DRAWING ARE APPROXIMATE AND ARE SUBJECT TO MINOR DEVIATIONS DURING CONSTRUCTION.

IN THE EVENT OF A DISCREPANCY BETWEEN THE SUTPHEN SPECIFICATIONS AND DRAWING, THE SUTPHEN SPECIFICATIONS SHALL PREVAIL.
 DRAWING IS FOR REFERENCE ONLY. SOME ITEMS PROPOSED MAY NOT BE SHOWN OR NOTED.

REV.	DESCRIPTION
B	REV-A SHOP ORDER/REFERENCE SHOP ORDER CHANGE DOCUMENT ON SHARED DRIVE
A	REV-A SHOP ORDER

DRAWN BY: J.LAMBERT
 DATE: 11/09/2022
 MFG. FACILITY: DUBLIN
 DEMO 541
 DUBLIN, OH
 SPH100 AERIAL PLATFORM
 HS-7653

