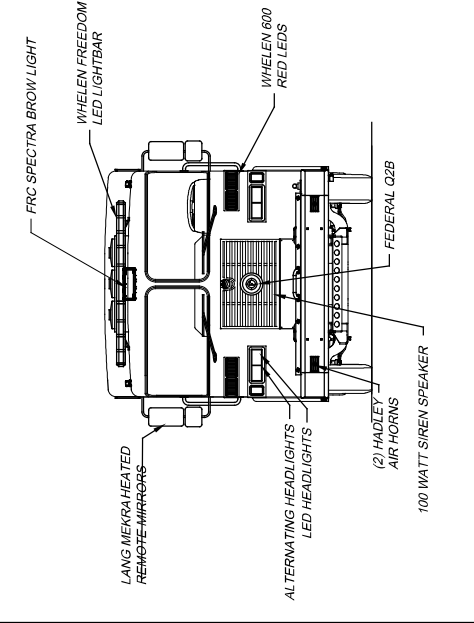
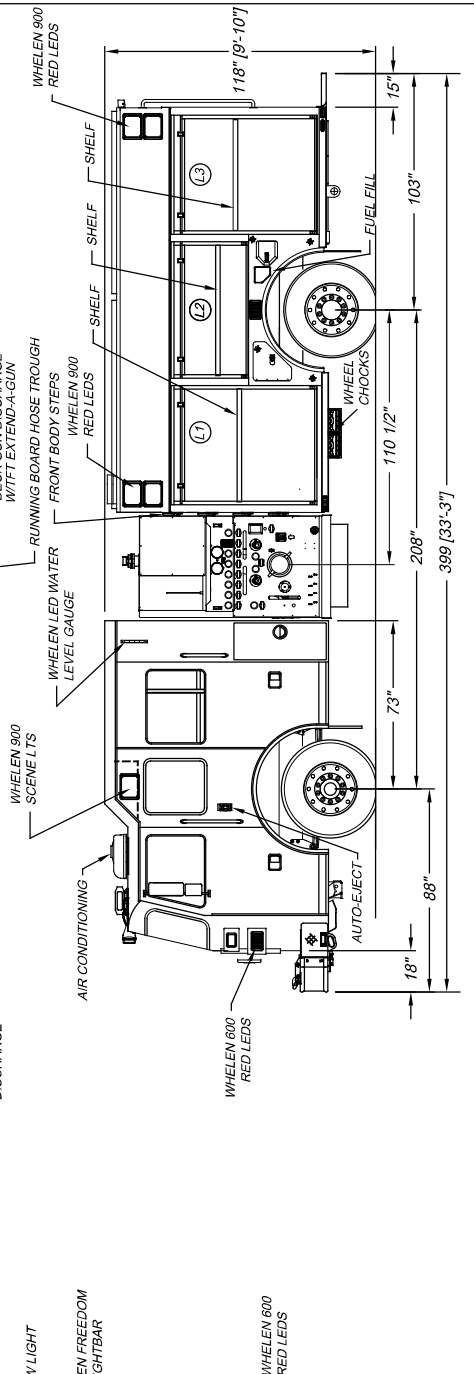
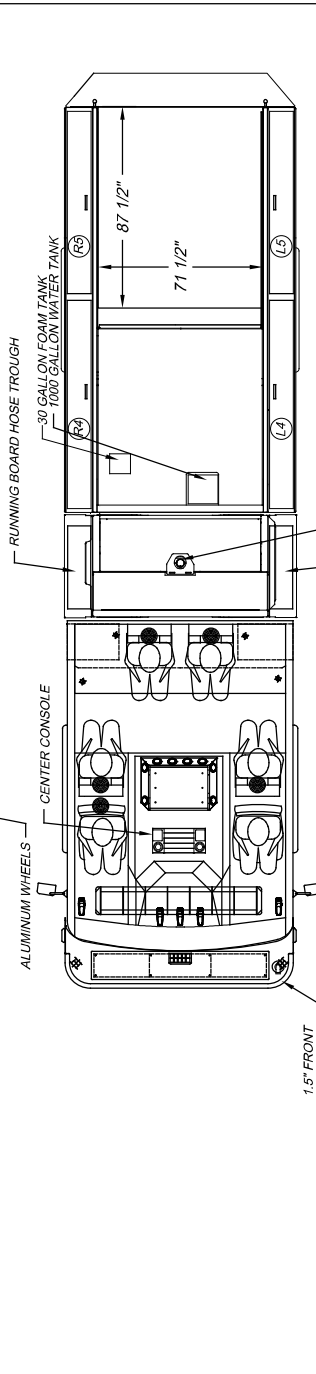


LEFT SIDE COMPARTMENTATION		
COMP	DOORS	VOLUME
L1	ROLL-UP	47.4 CU. FT.
L2	ROLL-UP	26.4 CU. FT.
L3	ROLL-UP	47.4 CU. FT.
L4L5	LIFT-UP	27 CU. FT.
RIGHT SIDE COMPARTMENTATION		
COMP	DOORS	VOLUME
R1	ROLL-UP	47.4 CU. FT.
R2	ROLL-UP	26.4 CU. FT.
R3	ROLL-UP	47.4 CU. FT.
R4L5	LIFT-UP	27 CU. FT.
REAR STEP COMPARTMENT		
COMP	DOORS	VOLUME
AT	ROLL-UP	19.8 CU. FT.

BASE STORAGE: 268 CU. FT.
TOTAL STORAGE: 320 CU. FT.



SUTPHEN
DEMO 548
PROGRAM 1 CUSTOM PUMPER
HS-733

DRAWN BY: R. CAMPBELL
DATE: 1/9/2023
REV. A

ADDED SCENE LIGHTS TO SIDE OF CAB
DESCRIPTION: URBANA PUMPER DIVISION

CUSTOMER APPROVAL

NAME: _____
TITLE: _____
DATE: _____

DIMENSIONS SHOWN ON THIS DRAWING ARE APPROXIMATE AND ARE SUBJECT TO MINOR DEVIATIONS DURING CONSTRUCTION. IN THE EVENT OF A DISCREPANCY BETWEEN THE SUTPHEN SPECIFICATIONS AND DRAWING, THE SUTPHEN SPECIFICATIONS SHALL PREVAIL. DRAWING IS FOR REFERENCE ONLY. SOME ITEMS PROPOSED MAY NOT BE SHOWN OR NOTED.