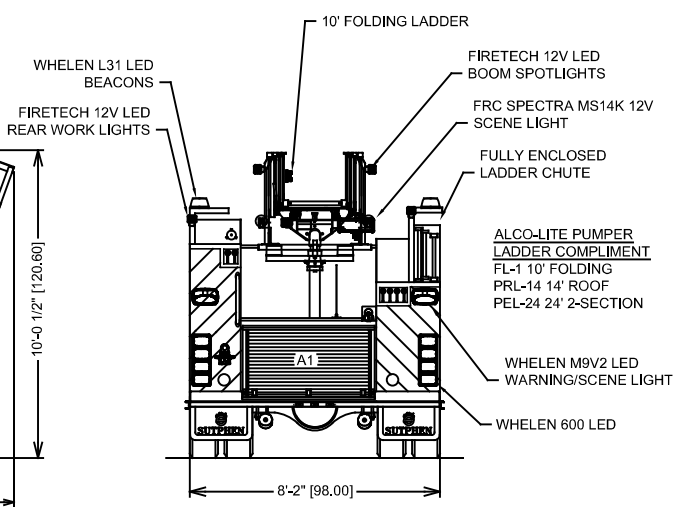
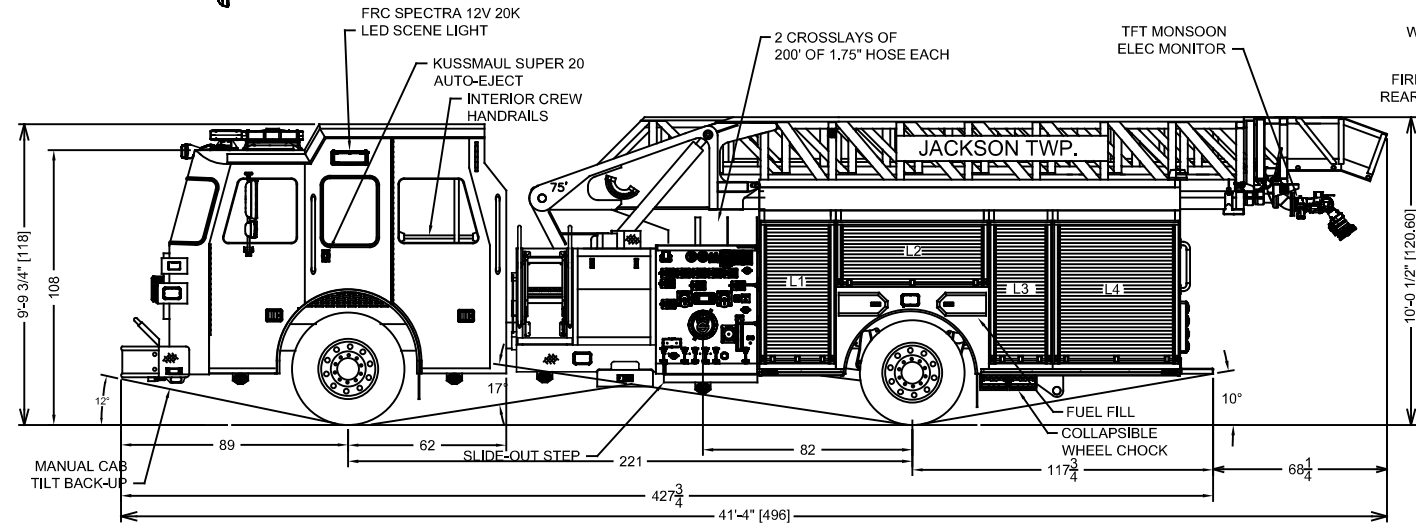
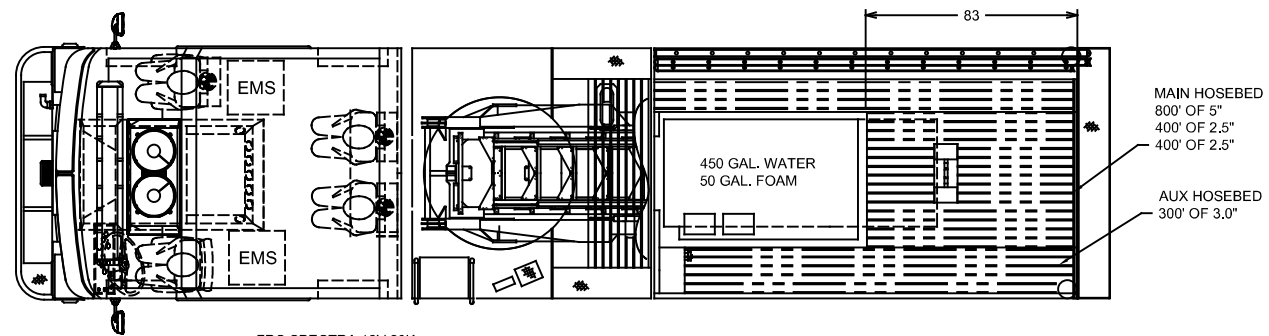
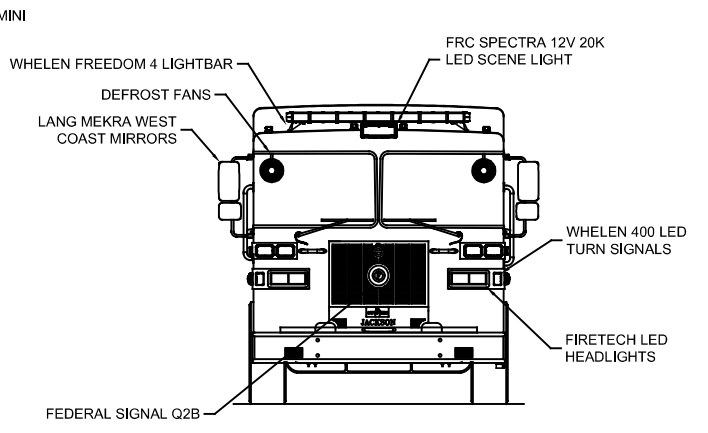
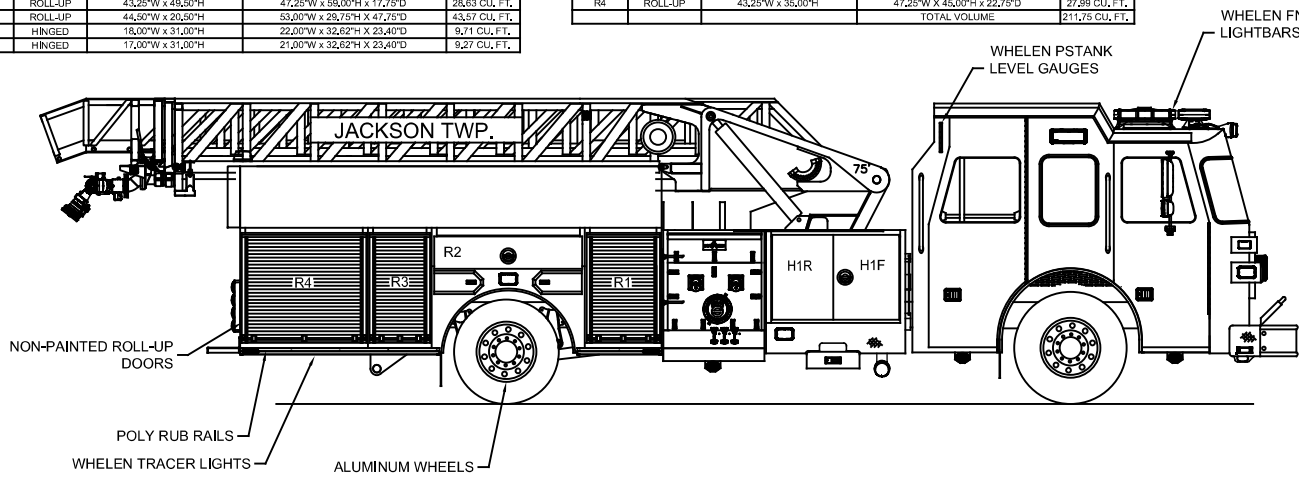


COMPT	DOORS	OPENING DIMENSIONS	INSIDE DIMENSIONS	VOLUME
L1	ROLL-UP	23,25"W x 49,50"H	29,75"W x 59,00"H x 17,75"D	18,02 CU. FT.
L2	ROLL-UP	53,25"W x 19,50"H	60,00"W x 28,25"H x 17,75"D	17,41 CU. FT.
L3	ROLL-UP	18,25"W x 49,50"H	24,75"W x 59,00"H x 17,75"D	14,98 CU. FT.
L4	ROLL-UP	43,25"W x 49,50"H	47,25"W x 59,00"H x 17,75"D	28,63 CU. FT.
A1	ROLL-UP	44,50"W x 20,50"H	53,00"W x 29,75"H x 47,75"D	43,57 CU. FT.
H1F	HINGED	18,00"W x 31,00"H	22,20"W x 32,62"H x 23,40"D	9,71 CU. FT.
H1R	HINGED	17,00"W x 31,00"H	21,00"W x 32,62"H x 23,40"D	9,27 CU. FT.

COMPT	DOORS	OPENING DIMENSIONS	INSIDE DIMENSIONS	VOLUME
R1	ROLL-UP	23,25"W x 35,00"H	29,75"W x 45,00"H x 22,75"D	17,62 CU. FT.
R2	HINGED	50,00"W x 9,25"H	60,00"W x 14,00"H x 22,75"D	11,05 CU. FT.
R3	ROLL-UP	18,25"W x 35,00"H	22,75"W x 45,00"H x 22,75"D	13,47 CU. FT.
R4	ROLL-UP	43,25"W x 35,00"H	47,25"W x 45,00"H x 22,75"D	27,99 CU. FT.
TOTAL VOLUME				211,75 CU. FT.



DIMENSIONS SHOWN ON THIS DRAWING ARE APPROXIMATE AND ARE SUBJECT TO MINOR DEVIATIONS DURING CONSTRUCTION.

IN THE EVENT OF A DISCREPANCY BETWEEN THE SUTPHEN SPECIFICATIONS AND DRAWING, THE SUTPHEN SPECIFICATIONS SHALL PREVAIL.

DRAWING IS FOR REFERENCE ONLY. SOME ITEMS PROPOSED MAY NOT BE SHOWN OR NOTED.

CUSTOMER APPROVAL

NAME: \_\_\_\_\_

TITLE: \_\_\_\_\_

DATE: \_\_\_\_\_

REV.	DESCRIPTION	BY	DATE
A	REVISED AFTER PRE-CONSTRUCTION MEETING	CAM	5/31/2022

DRAWN BY: APF

DATE: 05/04/2021

MFG. FACILITY: HILLIARD

JACKSON TWP FIRE DEPARTMENT  
Massillon, OH

SL75  
HS-7501