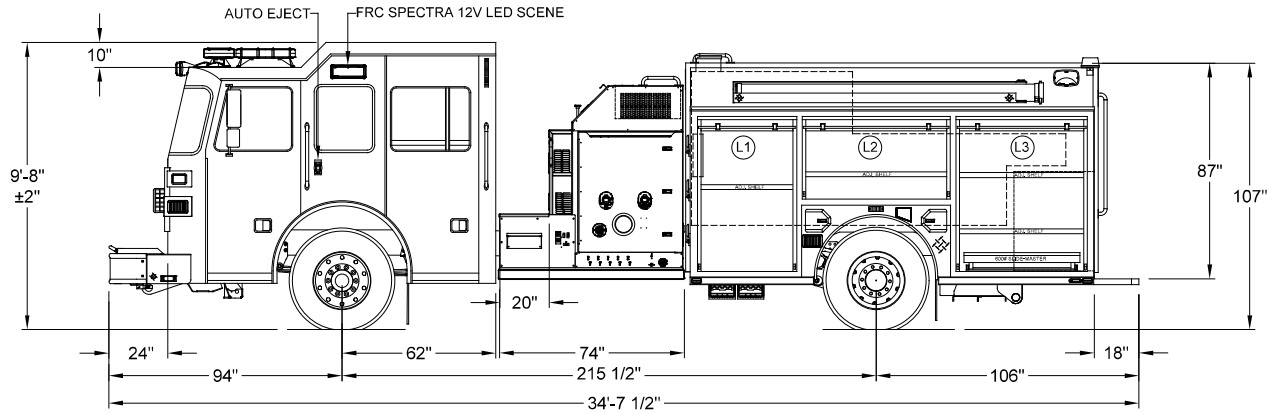
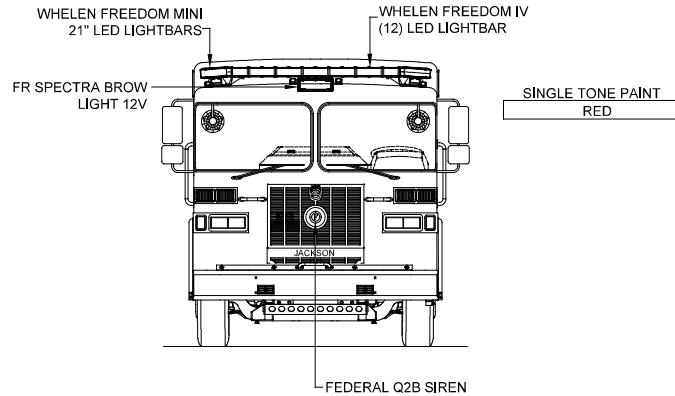
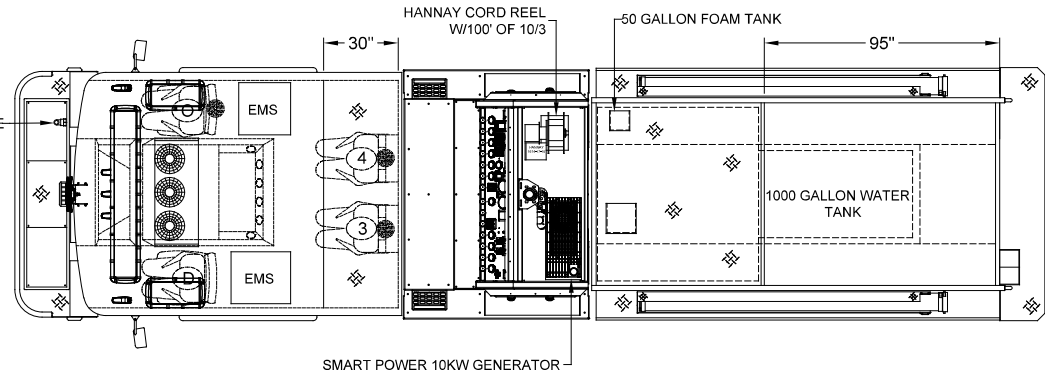


| LEFT SIDE COMPARTMENTS | | | | |
|------------------------|---------|--------------------|-----------------------------|--------------------------------------|
| COMPT | DOORS | OPENING DIMENSIONS | INSIDE DIMENSIONS | VOLUME |
| L1 | ROLL-UP | 37.5" w X 57.4" h | 43.1" w X 66" h X 27.3" d | 40.8 CU. FT. (10" h X 10.5" d UPPER) |
| L2 | ROLL-UP | 57.5" w X 28.2" h | 61.6" w X 36.8" h X 27.3" d | 29.8 CU. FT. (10" h X 10.5" d UPPER) |
| L3 | ROLL-UP | 50.5" w X 57.4" h | 53.4" w X 66" h X 27.3" d | 50.5 CU. FT. (10" h X 10.5" d UPPER) |

| RIGHT SIDE COMPARTMENTS | | | | |
|-------------------------|---------|--------------------|-----------------------------|--------------------------------------|
| COMPT | DOORS | OPENING DIMENSIONS | INSIDE DIMENSIONS | VOLUME |
| R1 | ROLL-UP | 37.5" w X 57.4" h | 43.1" w X 66" h X 27.3" d | 31.1 CU. FT. (33" h X 10.5" d UPPER) |
| R2 | ROLL-UP | 57.5" w X 28.2" h | 61.6" w X 36.8" h X 10.5" d | 13.8 CU. FT. |
| R3 | ROLL-UP | 50.5" w X 57.4" h | 53.4" w X 66" h X 27.3" d | 38.6 CU. FT. (33" h X 10.5" d UPPER) |

| REAR STEP COMPARTMENT | | | | |
|-----------------------|---------|--------------------|-----------------------|----------------------|
| COMPT | DOORS | OPENING DIMENSIONS | INSIDE DIMENSIONS | VOLUME |
| A1 | ROLL-UP | 37.5" w X 32.8" h | 40" h X 40" w X 31" d | 28.7 CU. FT. |
| | | | | TOTAL: 233.3 CU. FT. |

1.5" FRONT DISCHARGE



DIMENSIONS SHOWN ON THIS DRAWING ARE APPROXIMATE AND ARE SUBJECT TO MINOR DEVIATIONS DURING CONSTRUCTION.

CUSTOMER APPROVAL

NAME: _____
 TITLE: _____
 DATE: _____

| REV. | DESCRIPTION | BY | DATE |
|------|---|----|----------|
| F | **REV-F** SHOP ORDER | ML | 04/05/23 |
| E | COMPONENT REPORT UPDATED ADD ONSPOT CHAINS | MC | 02/01/22 |
| D | COMPONENT REPORT UPDATED FOR (6) SPACES BREAKER PANEL | MC | 01/25/22 |
| C | LADDER CHUTE CHANGE | MC | 12/03/21 |

DRAWN BY:
M.CLARK

DATE:
02/24/21

SUTPHEN
 JACKSON TOWNSHIP FIRE DEPARTMENT
 MASSILLON, OH
 CUSTOM PUMPER - S2 BODY
 HS-7088