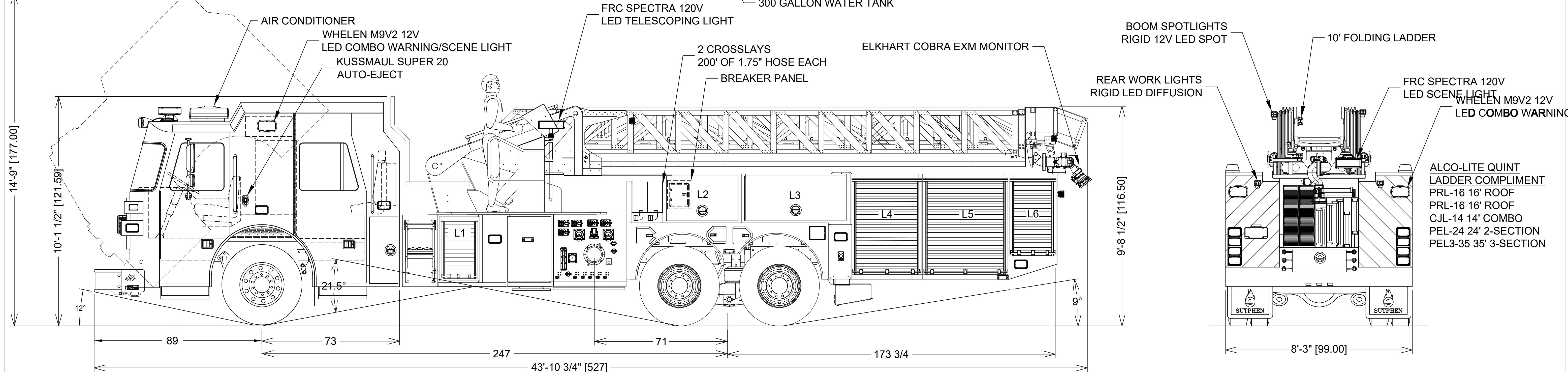
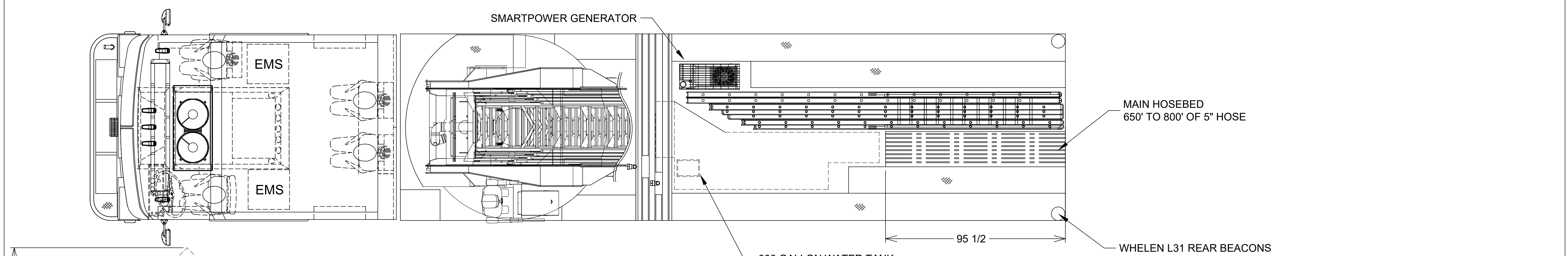
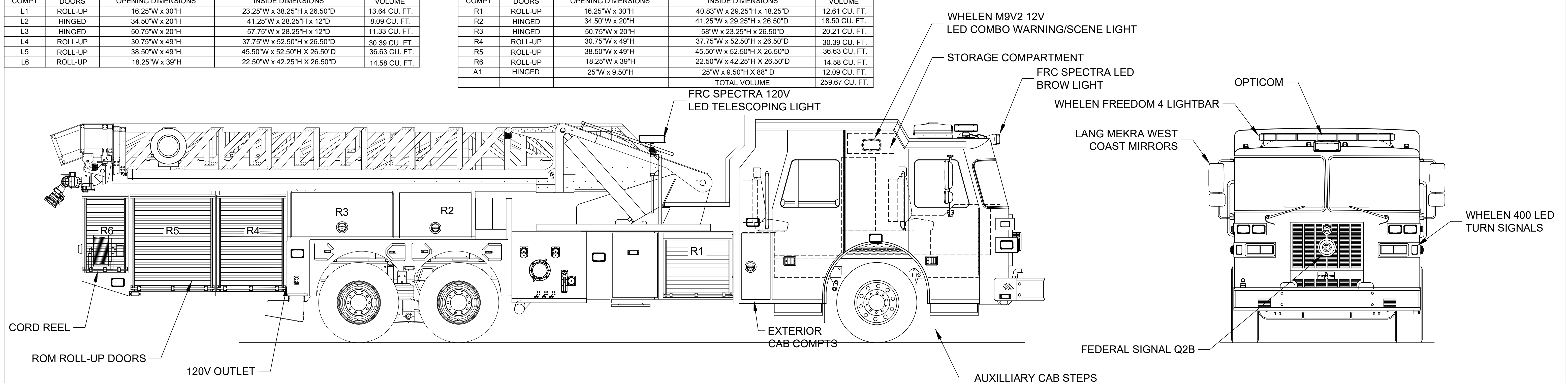


COMPT	DOORS	OPENING DIMENSIONS	INSIDE DIMENSIONS	VOLUME
L1	ROLL-UP	16.25"W x 30"H	23.25"W x 38.25"H x 26.50"D	13.64 CU. FT.
L2	HINGED	34.50"W x 20"H	41.25"W x 28.25"H x 12"D	8.09 CU. FT.
L3	HINGED	50.75"W x 20"H	57.75"W x 28.25"H x 12"D	11.33 CU. FT.
L4	ROLL-UP	30.75"W x 49"H	37.75"W x 52.50"H x 26.50"D	30.39 CU. FT.
L5	ROLL-UP	38.50"W x 49"H	45.50"W x 52.50"H x 26.50"D	36.63 CU. FT.
L6	ROLL-UP	18.25"W x 39"H	22.50"W x 42.25"H x 26.50"D	14.58 CU. FT.

COMPT	DOORS	OPENING DIMENSIONS	INSIDE DIMENSIONS	VOLUME
R1	ROLL-UP	16.25"W x 30"H	40.83"W x 29.25"H x 18.25"D	12.61 CU. FT.
R2	HINGED	34.50"W x 20"H	41.25"W x 29.25"H x 26.50"D	18.50 CU. FT.
R3	HINGED	50.75"W x 20"H	58"W x 23.25"H x 26.50"D	20.21 CU. FT.
R4	ROLL-UP	30.75"W x 49"H	37.75"W x 52.50"H x 26.50"D	30.39 CU. FT.
R5	ROLL-UP	38.50"W x 49"H	45.50"W x 52.50"H x 26.50"D	36.63 CU. FT.
R6	ROLL-UP	18.25"W x 39"H	22.50"W x 42.25"H x 26.50"D	14.58 CU. FT.
A1	HINGED	25"W x 9.50"H	25"W x 9.50"H x 88"D	12.09 CU. FT.
			TOTAL VOLUME	259.67 CU. FT.



DIMENSIONS SHOWN ON THIS DRAWING ARE APPROXIMATE AND ARE SUBJECT TO MINOR DEVIATIONS DURING CONSTRUCTION.	CUSTOMER APPROVAL		REV.	DESCRIPTION	BY	DATE	DRAWN BY: APF	 MISHAWAKA FIRE DEPT MISHAWAKA, IN SL100 HS-XXXX
	IN THE EVENT OF A DISCREPANCY BETWEEN THE SUTPHEN SPECIFICATIONS AND DRAWING, THE SUTPHEN SPECIFICATIONS SHALL PREVAIL.	NAME:						
DRAWING IS FOR REFERENCE ONLY. SOME ITEMS PROPOSED MAY NOT BE SHOWN OR NOTED.		TITLE:		MFG. FACILITY: HILLIARD				
	DATE:							

THIS PRINT IS PROVIDED ON A RESTRICTED BASIS AND IS NOT TO BE USED IN ANY WAY DETRIMENTAL TO THE INTEREST OF SUTPHEN CORPORATION.